

BASE MASTER SERIES

BASE MASTER Series is a precision touch sensor to determine workpiece offsets and tool length.

Mounted on workpiece surface or machine table, LED lamp illuminates immediately when the cutting edge touches the sensor plate and the position is detected.



Tool Offset Sensor

BASE MASTER mini

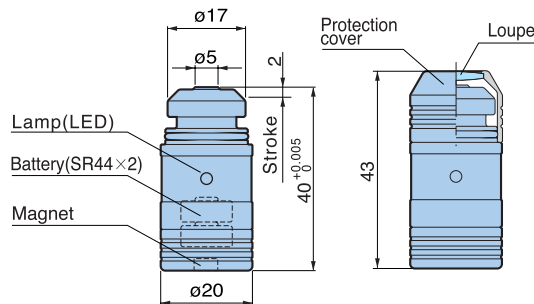
- **World smallest 20mm body diameter.**
- Best suited to measurement in complicated shapes and limited space.
- High intensity Blue LED indication when the offset position is detected.



For all materials, including non-conductive cutting tools, workpieces, and machine tools.



Protection cover with magnifier(X 5)



Height accuracy	$40^{+0.005}_0$ mm
Measureable pressure	1.8N
Repeatability accuracy	$\pm 1\mu\text{m}(2\sigma)$
Min. measurable tool diameter	$\phi 0.1\text{mm}$
Battery life	10hours (continuous use)
Weight	55g

Model **BMM-20**

TOOL MASTER

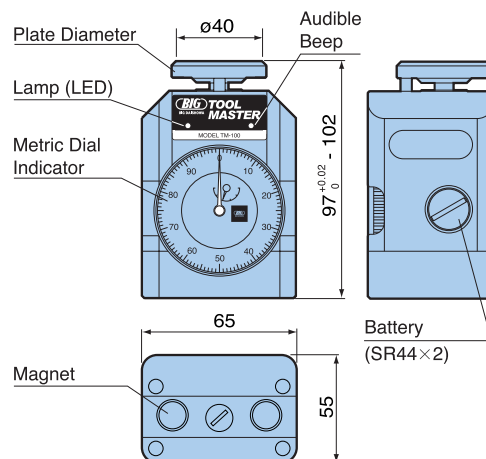
TOOL MASTER is a precision touch sensor with a large dial gauge. LED lamp and sound pre-indicate approach to 100mm height to ease the detecting operation.



Tool Offset Sensor



Model **TM-100**



For all materials, including non-conductive cutting tools, workpieces, and machine tools.

Height accuracy	$100^{+0.02}_0$ mm	
Stroke	5mm	
Stroke range	97 - 102mm	
Measureable pressure	6N(100mm)	
Weight	1.2kg	
Dial gauge	Graduation	0.01mm
	Indication tolerance	$\pm 15\mu\text{m}$
	Repeatability	$5\mu\text{m}$
	Return tolerance	$5\mu\text{m}$

* Dial gauge accuracy in accordance with JISB7503:1997.